

56240" 562960

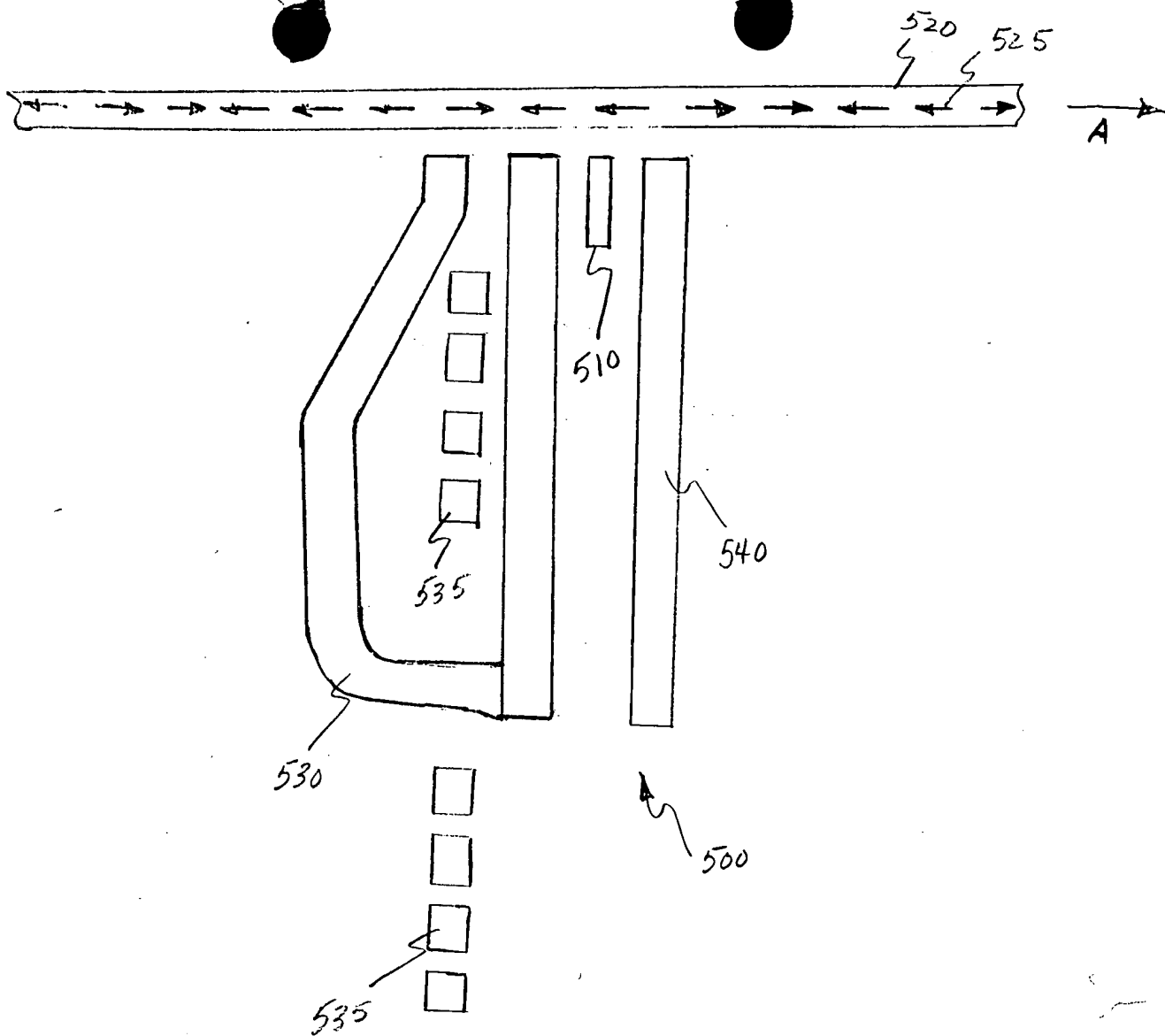
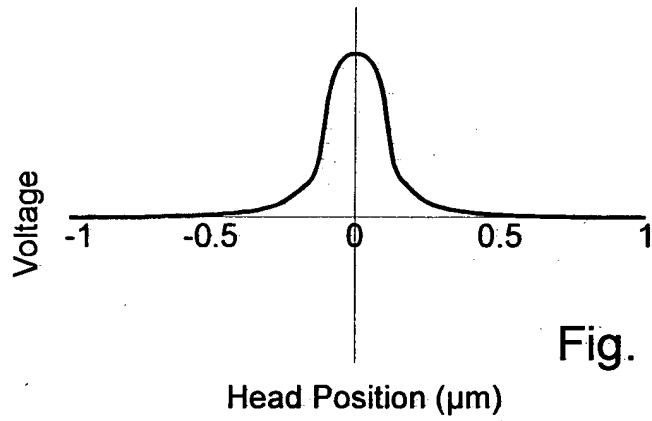
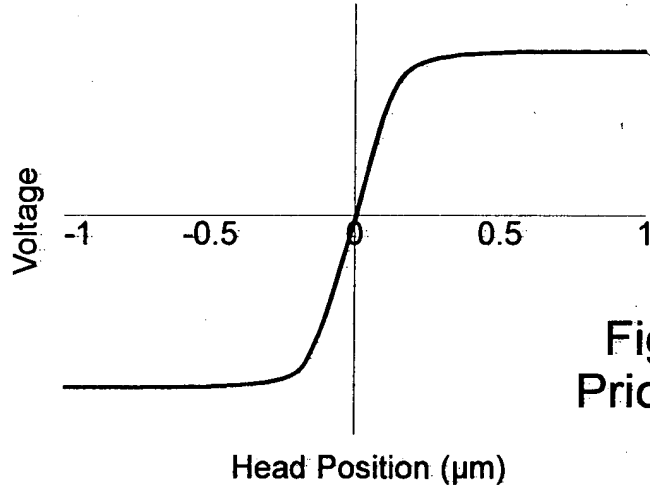
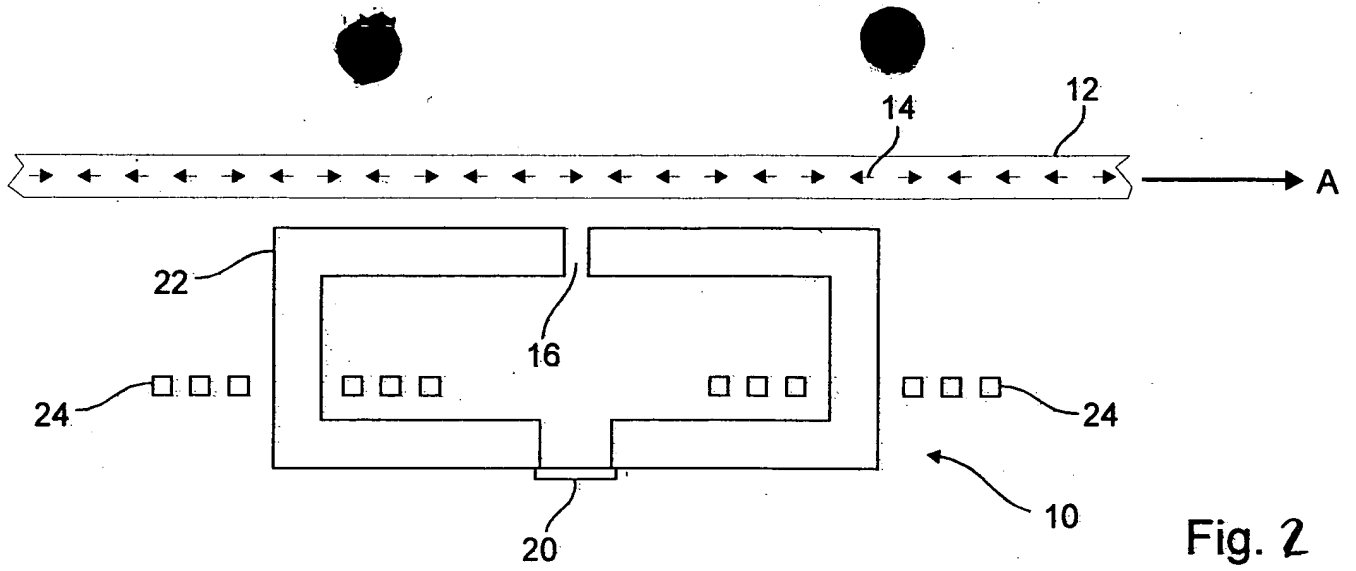
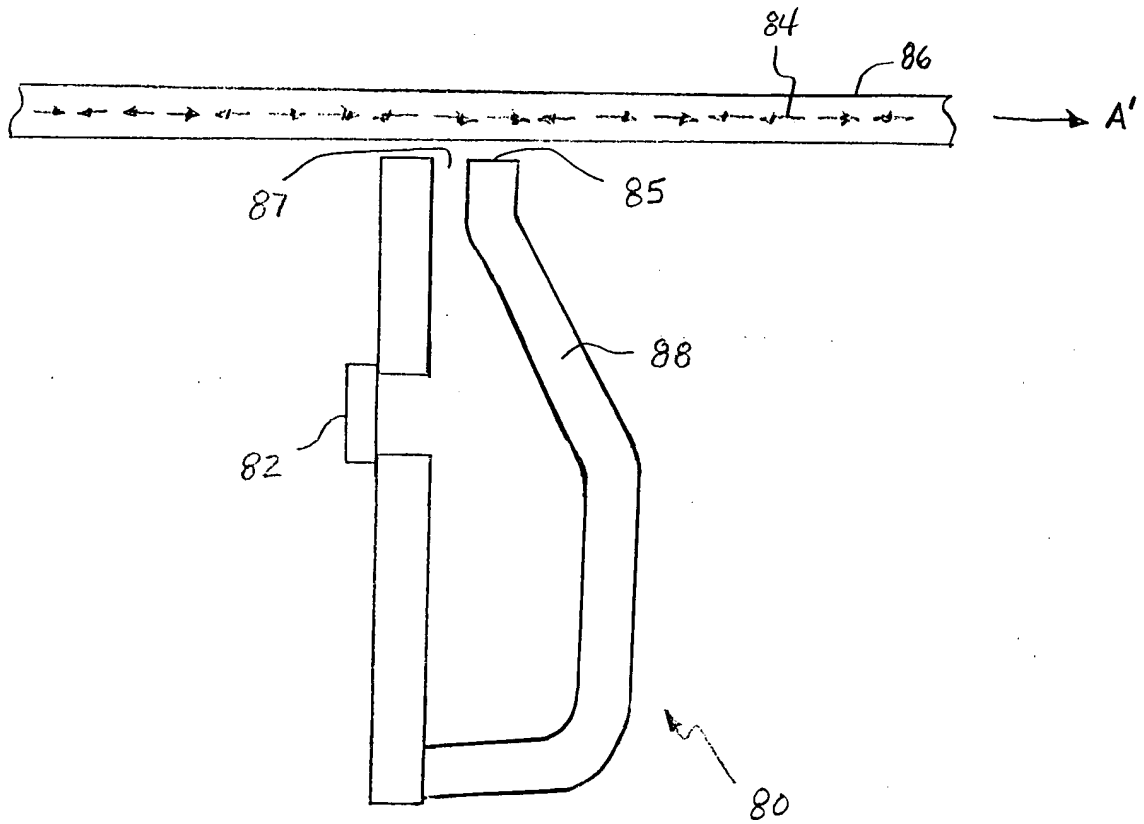


FIG. 1
PRIOR ART



BBBHQ"5629060



PRIOR ART

FIG. 3

2025 RELEASE UNDER E.O. 14176

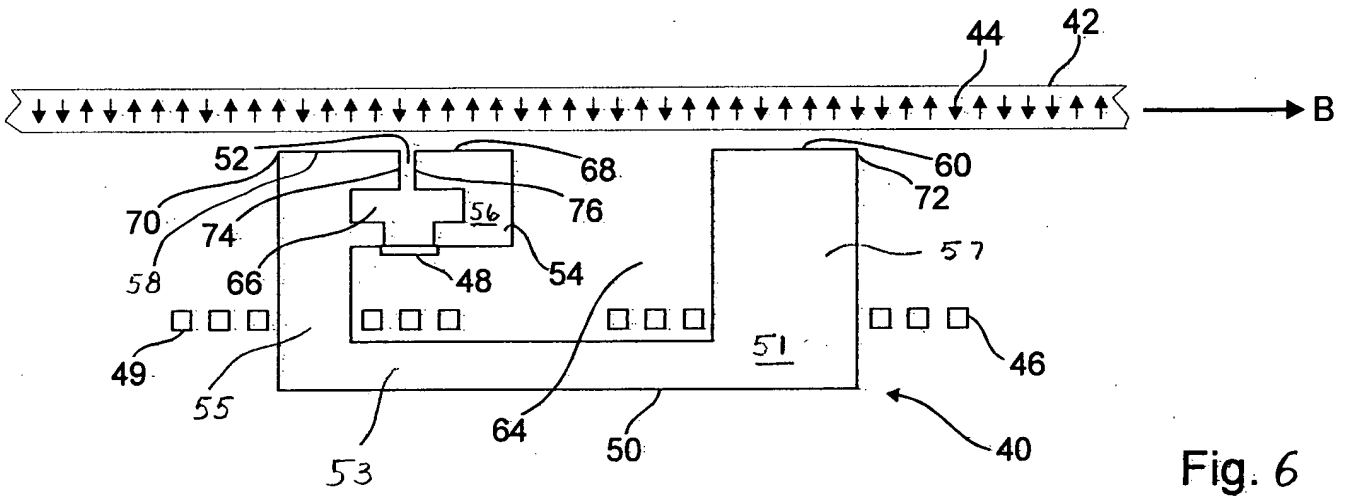


Fig. 6

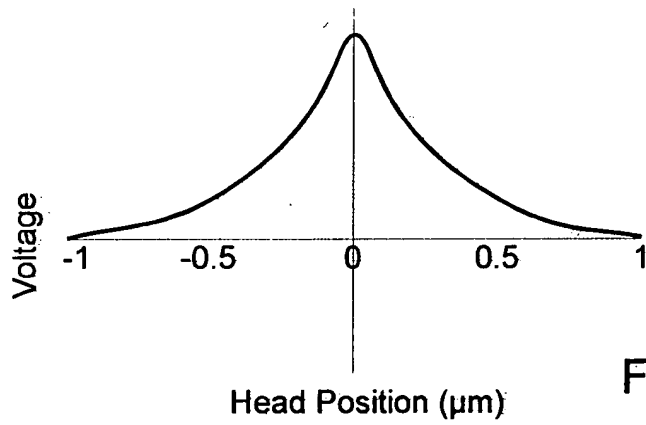


Fig. 7

85240"562900

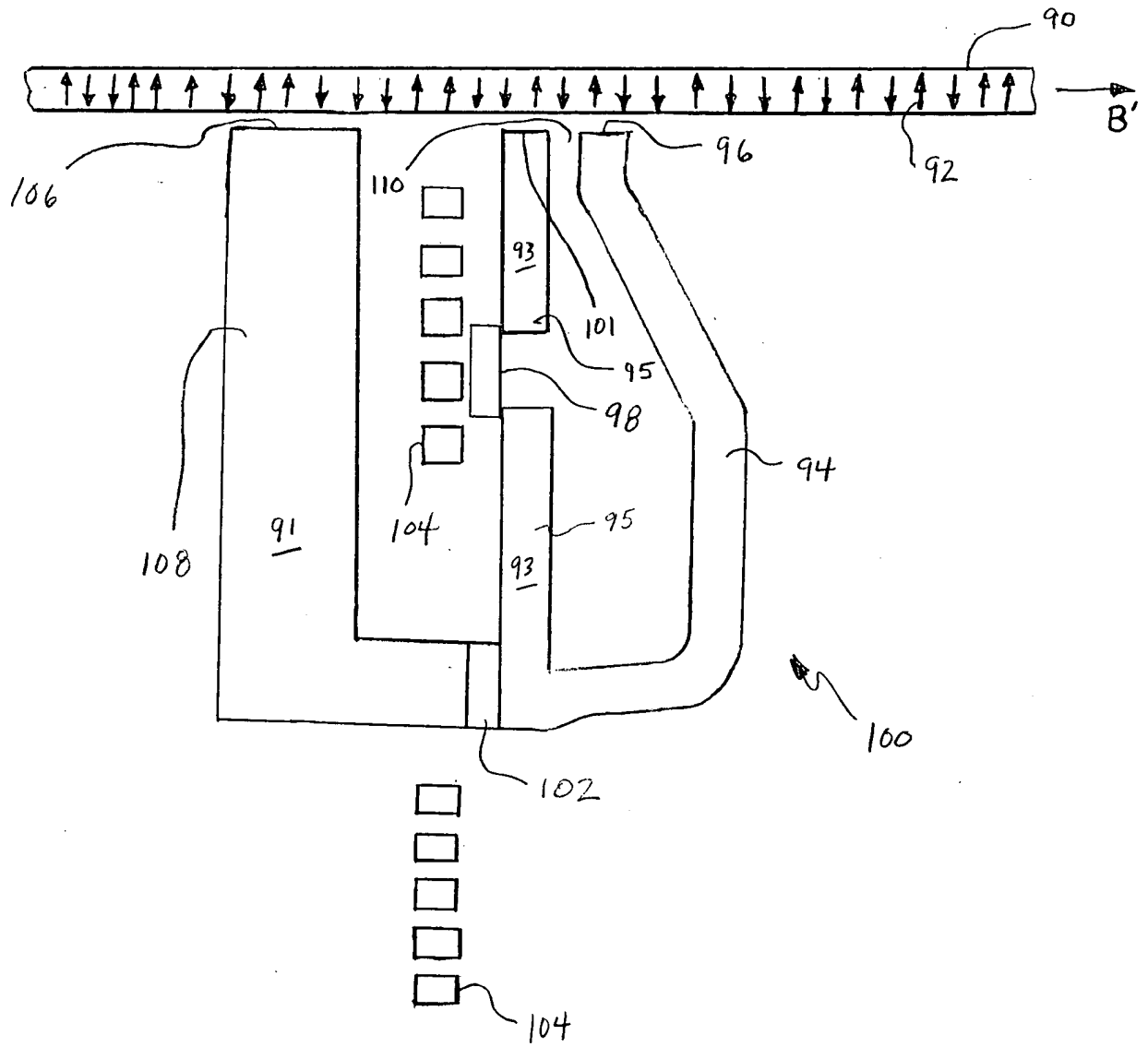


Fig. 8

868240" 5629060

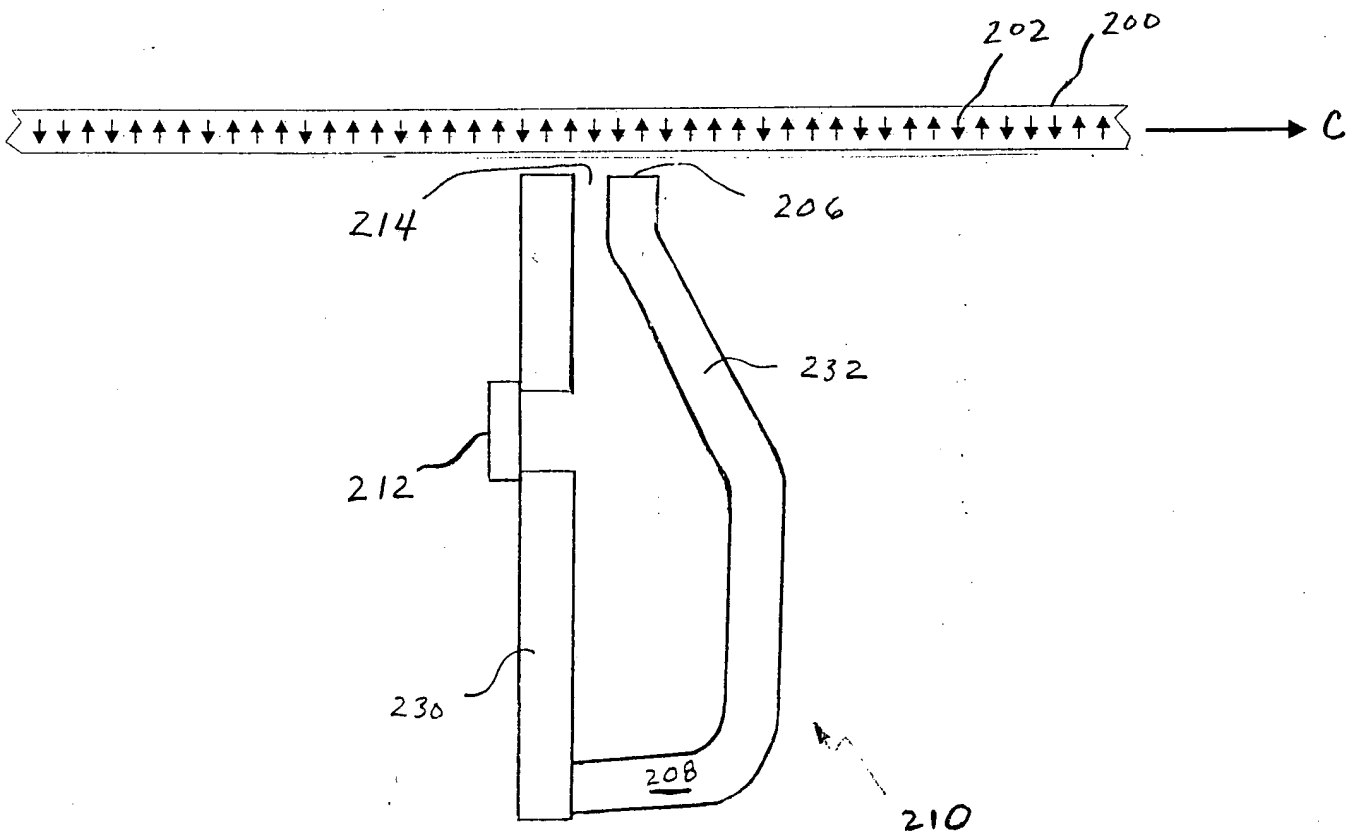


FIG. 9

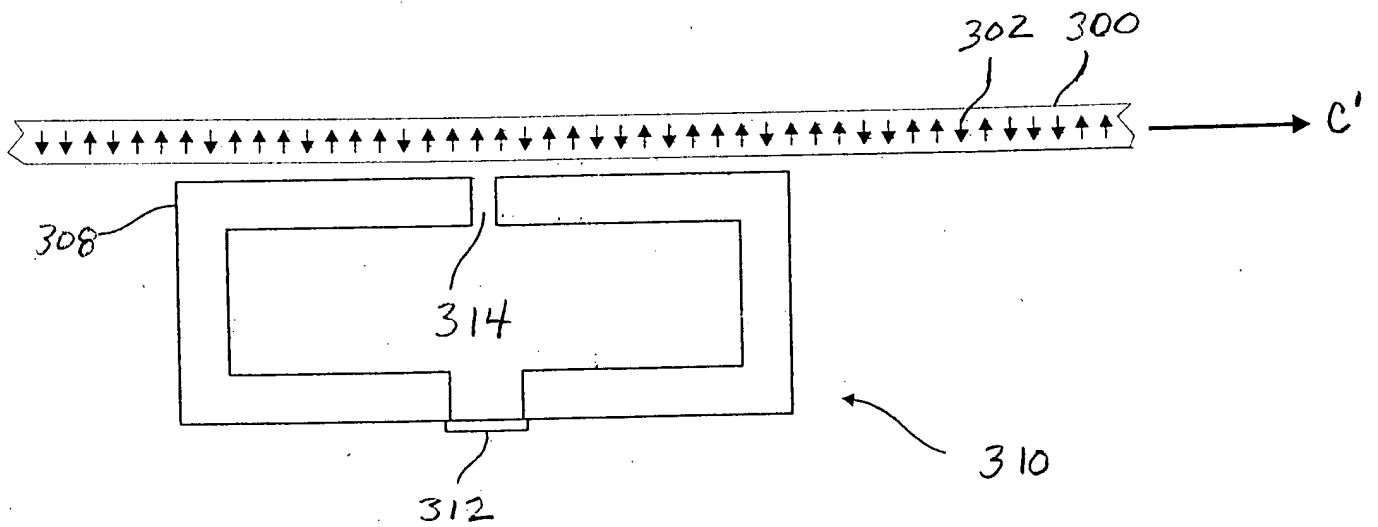


FIG. 10

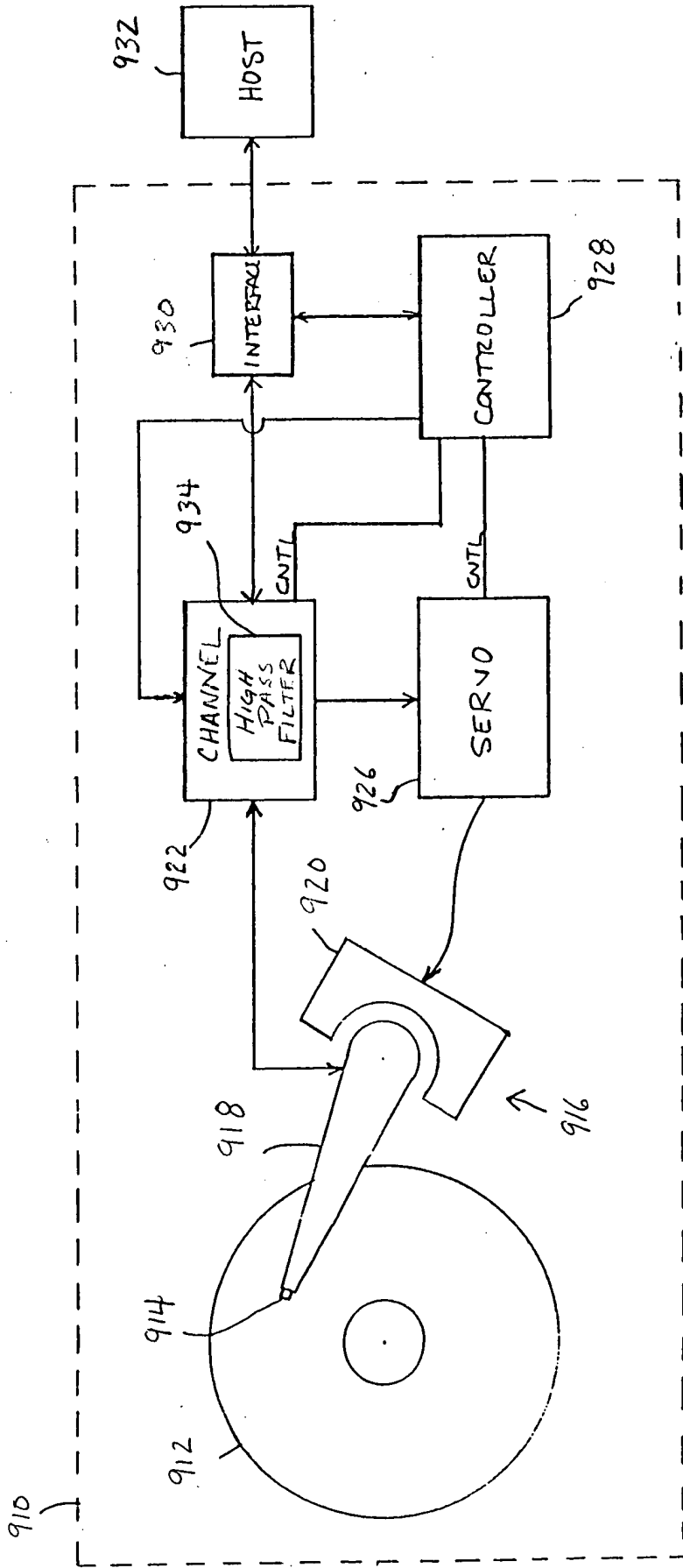


FIG. 11